

Accept

Japan Home & Building Show 2019

Date **2019.11.13** (Wed) ▶ **15** (Fri)
10:00 ~ 17:00

Venue **Tokyo Big Sight West Hall**
(Tokyo International Exhibition Center)

CONTENTS	41st Japan Home Show	Focus Zone Stone Fair Tokyo	5th Shop Design Tokyo
	4th Bathroom & Kitchen Tokyo	3rd Apartments Renovation Tokyo	3rd Landscape Expo
			2nd Creative Office Design Tokyo

NOW READY TO APPLY!



Contact Information

Japan Home & Building Show Secretariat

c/o Japan Management Association, Convention Business Center
3-1-22, Shibakoen, Minato-ku, Tokyo 105-8522, Japan
TEL : +81-3-3434-1988 FAX : +81-3-3434-8076 E-mail : jhbs@jma.or.jp

< ABOUT THE SHOW >

Japan Home & Building Show is the largest conglomerate exhibition in Japan for Housing and Building industry with over 40 years of history, having gained reputations from the domestic professionals. This year in 2019, this event would be held with several joint exhibitions, fascinating a variety of visitors from the field of home building, construction, interior and exterior for commercial facilities, plus infrastructure and building maintenance. Of course, you'll find your prospective leads; also have the perfect opportunity to challenge the Japan Market by interacting with many professionals from whole-related field all at once!

< OVERVIEW >

41st **Japan Home Show**

Focus Zone **Stone Fair Tokyo**

5th **Shop Design Tokyo**

4th **Bathroom & Kitchen Tokyo**

3rd **Apartments Renovation Tokyo**

3rd **Landscape Expo**

2nd **Creative Office Design Tokyo**

Date Nov. 13 (Wed.) – 15 (Fri.) , 2019

Venue Tokyo Big Sight (Tokyo International Exhibition Center) West Hall 1-4

Organizer	Japan Management Association (JMA)
Co-organizer (Planned)	Japan Construction Material & Housing Equipment Industries Federation Association of Living Amenity Japan Federation of Housing Organizations The Japan Institute of Architects
Supporter	Planned to ask related government
Sponsor	Planned to ask related organizations
Exhibition Scale	1,200 exhibitors / 2,250 (including concurrent events)
Expected Participants	50,000 (including concurrent events)
Admission Fee	JPY 3,000 (tax incl.) if register online, it'll be free of charge
Concurrent Events	Building Maintenance & Clean EXPO 2019 Toilet Tokyo 2019 Asia Furnishing Fair 2019 JAPANTEX 2019

SCHEDULE

June 28 (Fri.) ,2019	Early Application Deadline
July 26 (Fri.) ,2019	Final Application Deadline
August 30 (Fri.) ,2019	Booth Payment Deadline
Mid September	<ul style="list-style-type: none"> ① Exhibitor's Meeting (Not mandatory) ② Booth Location Announcement <p>※If you cannot attend this meeting, we'll send e-mail newsletter about what you are required to do before the event and your Booth Location with a map.</p>
Late September (Planned)	<ul style="list-style-type: none"> ① Deadline for Booth Preparation ② Deadline for our exclusive Booth Contractor Application
November 11 (Mon.) - 12 (Tue.)	Move-in 8:00 ~ 18:00
November 13 (Wed.)	<ul style="list-style-type: none"> ① First Day of the Event ② Reception Party at night
November 15 (Fri.)	<ul style="list-style-type: none"> ① Final Day of the Event ② Move-out 17:00 ~ 22:00

※We are possible to end our application deadline earlier before the final deadline in case booths are fully booked.

< Exhibit Prices >

Booth Fees

(10% Consumption Tax Included)

Please note that, all overseas exhibitors shall be charged "Overseas Exhibitor Processing Fee" of 4,000 JPY.

Standard Booth

**1 Booth
with Package**

**2 Booths
with Package**

Early Application

JPY 407,000-

Final Application

JPY 451,000-

Early Application

JPY 561,000-

Final Application

JPY 605,000-

Early Application

JPY 1,012,000-

Final Application

JPY 1,100,000-

● Facilities included:

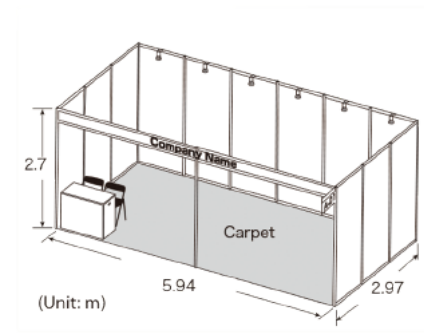
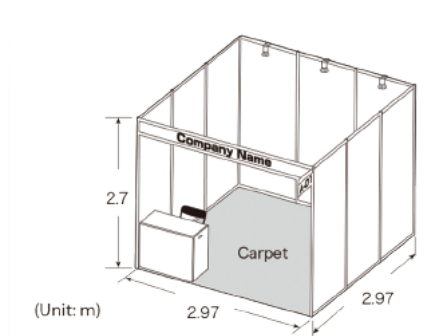
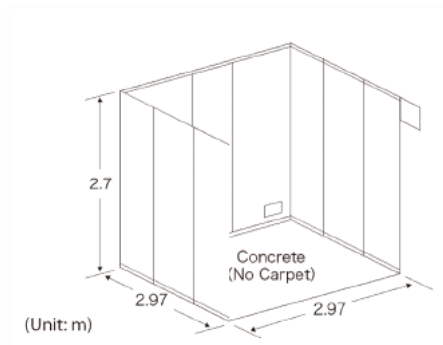
- Side and back partition walls (white)
- Electrical wiring work for 100V / 300W (a breaker switch only - no outlet)
- Booth no plate

● Facilities included:

- Company name on fascia board
- Side and back partition walls (white)
- One information desk
- Electrical wiring work for 1.0kW (100V / single phase)
- Usage charge until 1.0kW
- Carpeting
- Booth no plate
- Three spotlights
- One power outlet
- One folding chair

● Facilities included:

- Company name on fascia board
- Side and back partition walls (white)
- One information desk
- Electrical wiring work for 2.0kW (100V / single phase)
- Usage charge until 2.0kW
- Carpeting
- Booth no plate
- Six spotlights
- One power outlet
- Two folding chairs



Web Entry Fee

You can register your company profile and exhibits with pictures, helping you promote to visitors beforehand through this service.

JPY 88,000

The Web Entry Fee is mandatory for all Exhibitors.

(ALL Japan Home & Building Show 2018 Exhibitors are FREE - OF - CHARGE)

< RULES & REGULATION >

■ Payment

- ◆ Payment should be made in JAPANESE YEN ONLY.
- ◆ All overseas exhibitors shall be charged "Overseas Exhibitor Processing Fee" of 4,000 JPY.

■ Payment Deadline

Friday August 30, 2019

■ Cancellation by Exhibitor

The exhibitors would be liable to cancellation fees as follows:

Duration	Cancellation Fee
FROM the next day of each application deadline	50% of Booth Space Fee excluding tax
TO the day before the Official Exhibitor Meeting (September Mid)	FROM the day of Official Exhibitor Meeting (September Mid) 100% of Booth Space Fee excluding tax

■ Immigration Procedures

Exhibitors must handle all formalities related to entering Japan independently, and the organizer shall not be responsible for any immigration formalities or related fees involved in obtaining permission for entry.

If the exhibitors should cancel the contract on account of not receiving permission to enter Japan, they are liable to the cancellation fee as above.

Japan Home & Building Show Secretariat

c/o Japan Management Association, Convention Business Center

3-1-22, Shibakoen, Minato-ku, Tokyo 105-8522, Japan TEL : +81-3-3434-1988 FAX : +81-3-3434-8076 E-mail : jhbs@jma.or.jp

© 2018 JAPAN MANAGEMENT ASSOCIATION ALL RIGHTS RESERVED.